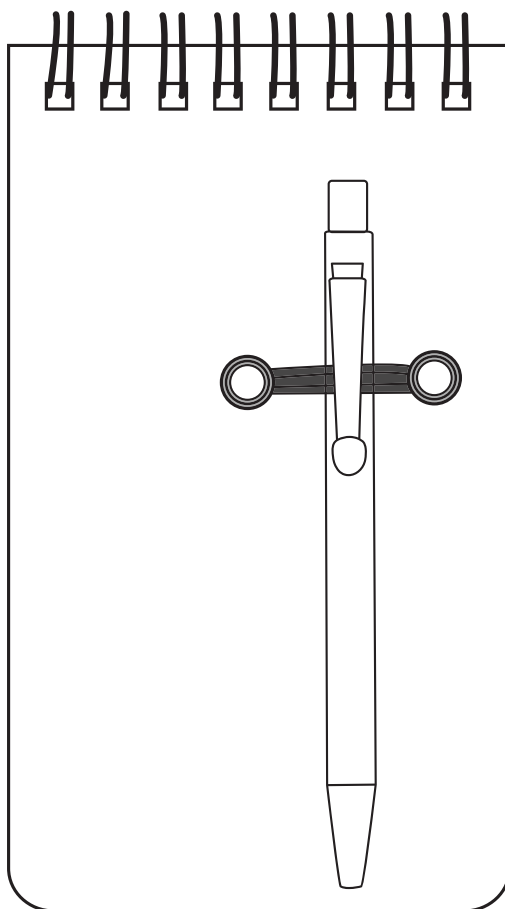


# PAD PRINT

## FPO



**Dashed Line For Imprint Area Only, Will Not Print.**

<p>1" 0.5" 0"</p>	<p>Artist/Date: Order #: Ship Date: Imprint Color: Item Color:</p>	<p>Item #: 6980 MAX Imprint Size: 1.25"w x 1.5"h Imprint Type: Standard Pad-Print</p>	<p>Proofing:</p>
---------------------------	--	---	------------------